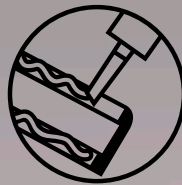
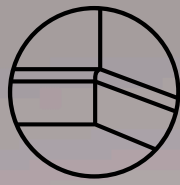
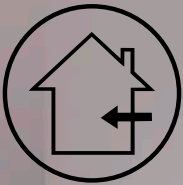


# SKIRTINGS

WALLSTYL®



3



[www.blauer-engel.de/uz120](http://www.blauer-engel.de/uz120)



NOËL & MARQUET

DESIGN ELEMENTS

# INDEX

## INFO

<b>PRODUCT OVERVIEW</b>	<b>7</b>
<b>GLUE</b>	<b>11</b>
<b>GLUE CONSUMPTION</b>	<b>13</b>
<b>TOOLS</b>	<b>15</b>
<b>FINISH</b>	<b>19</b>
<b>INSPECTIONS INSTRUCTIONS</b>	<b>21</b>

## I • CORNICES

<b>CORNICES GENERAL</b>	
PREPARATION, CUTTING, INSTALLATION	1/2
<b>CORNICES Z40 · Z41 · Z42 ARSTYL®</b>	
CUTTING, REGULAR CORNERS, IRREGULAR CORNERS	1/6
<b>CORNICE Z7 ARSTYL®</b>	
FIX THE VARIO EXTENSION, INSTALLATION	1/7
<b>SPECIAL CASES</b>	
CORNICES IN A STAIRWEL	1/10
STEPPED WALL	1/11
EXPANSION JOINTS AND ANTI-VIBRATION ISOLATION JOINTS	1/12
HOLLOW JOINT	1/12
STOPPING A MOULDING	1/13

## 2 • CHAIR RAILS

<b>CHAIR RAILS GENERAL</b>	
PREPARATION, CUTTING, INSTALLATION	2/2
<b>CURVES FOR CHAIR RAILS</b>	
PREPARATION, CUTTING, INSTALLATION	2/5
<b>SPECIAL CASE</b>	
STOPPING A CHAIR RAIL	2/7

## 3 • SKIRTINGS

<b>SKIRTINGS GENERAL</b>	
PREPARATION, CUTTING, INSTALLATION	3/2
<b>SPECIAL CASES</b>	
STOPPING A SKIRTING	3/5

## 4 • FLEXIBLE PROFILES

<b>ARSTYL® FLEX · WALLSTYL® FLEX</b>	
RADIUS	4/2

## 5 • LIGHTING PROFILES

<b>INDIRECT LIGHTING - CORNICES</b>	
PREPARATION, CUTTING, INSTALLATION	5/2
<b>CORNICES NOMASTYL® OR WALLSTYL®</b>	
<b>FOR INDIRECT LIGHTING</b>	5/6
<b>WT4 WALLSTYL(r) - COMPLEMENT</b>	5/7
<b>INDIRECT LIGHTING SKIRTINGS</b>	
PREPARATION, CUTTING, INSTALLATION	5/8
<b>LIGHTING PROFILES - FAQ</b>	5/13

## 6 • DESIGN ELEMENTS

<b>CEILING ROSES S ARSTYL®</b> PREPARATION, INSTALLATION	6/2
<b>R61 IN COMBINATION WITH Z61</b> PREPARATION, CUTTING, INSTALLATION	6/3
<b>PILASTERS ARSTYL®</b> PREPARATION, CUTTING, INSTALLATION	6/5
<b>WALL PANELS ARSTYL® WALL PANELS</b> PREPARATION, INSTALLATION	6/8
<b>WALL TILES ARSTYL® WALL TILES</b> VARIED AND CREATIVE WALL INSTALLATION OPTIONS	6/12
PREPARATION, INSTALLATION	6/12
<b>SPECIAL CASES</b> INSTALLATION ON A COMPLETE WALL	6/14

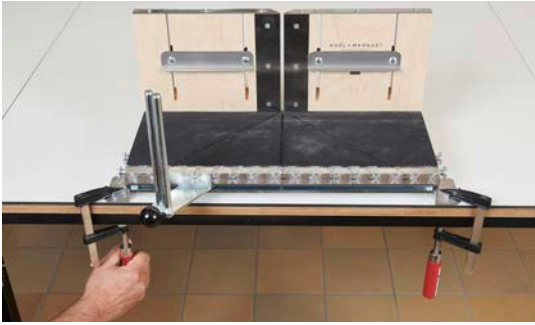
## 7 • FACADE DECORATION

<b>WINDOW SILL PROFILE</b> PREPARATION, ANGLED SECTION	7/2
<b>ANGLED WINDOW SILL PROFILE</b>	7/4
<b>FRAME PROFILES</b>	7/5
<b>STRING COURSE</b>	7/9
<b>CUT IN THE PROFILE (DOWNPIPE)</b>	7/9
<b>KEY STONE</b>	7/9
<b>AREA OF THE ROOF OVERHANG AND PASSAGE</b>	7/11
<b>GABLE</b>	7/12
<b>STONES</b>	7/13
<b>CEILING ROSES</b>	7/14
<b>REPAIR OF DAMAGED PROFILES</b>	7/15

This technical brochure has been prepared in accordance with the current state of our knowledge. We reserve the right to make modifications without prior notice. Without a written agreement to the contrary, our studies, descriptions, notices, advice or other technical documents concerning the functionality, behaviour or performance of goods are supplied as an indication only according to the common use of the goods under normal conditions of application, use and climate (moderate European regions), or those indicated to us by customers in writing. Save for the existence of fraud or gross negligence on our part, these studies, recommendations and other technical documents do not engage our liability. It is the customer's responsibility to check that they are suitable for the intended use.

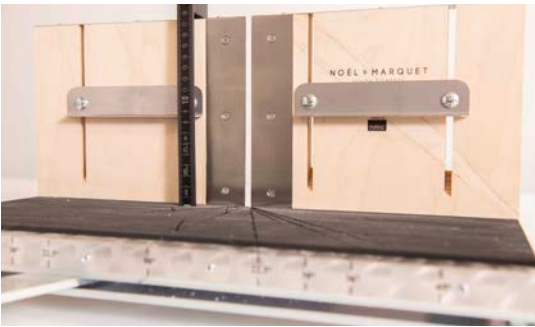


# SKIRTINGS GENERAL



## PREPARATION

- The VARIO mitre box can be fixed to the worktop or the staging with the existing aluminium brackets using two clamps (not included).



- Adjust the sliders of the mitre box to the height of the skirting or the side or take them off as they are not necessary for the cut of skirtings.



Inner Corner



Outer Corner

- Measure the angle of the corner of the wall using the adjustable set-square.



- Place the adjustable set-square flat in the bottom of the mitre box, one side resting against the vertical part of the mitre box.
- Measure the distance between the two ends of the set-square.
- Divide this value by 2 and set the saw guide to the value obtained.
- Ensure that the saw passes through the middle of the adjustment screws, correcting the position as necessary.

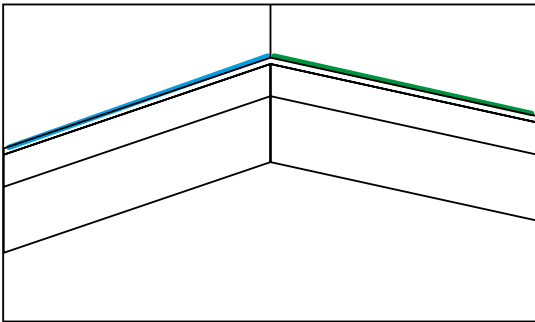
**The procedure applies to both corners inside and outside angles (mitre).**



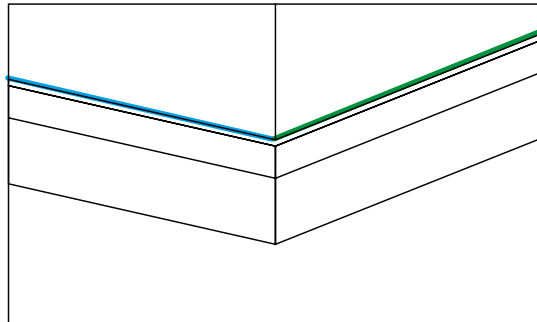
## CUTTING

- Cut the skirting to size in the mitre box with the WALLSTYL® saw.

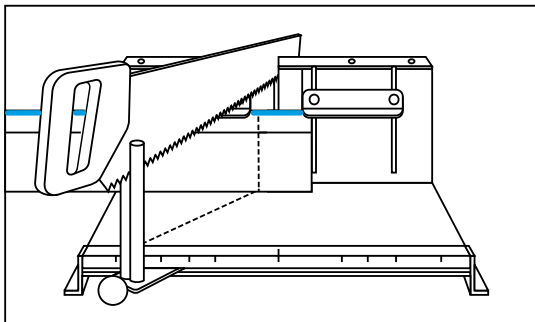
### INNER CORNER



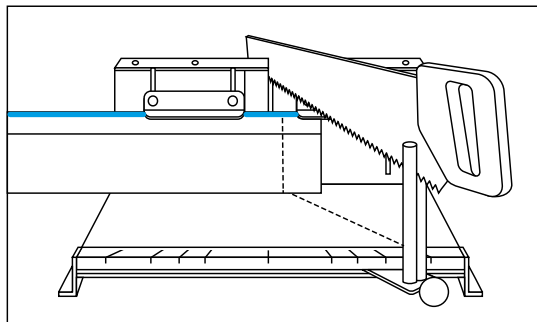
### OUTER CORNER



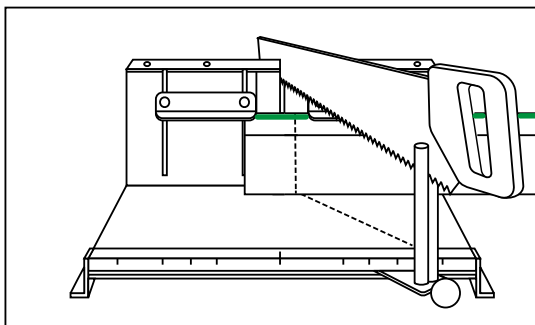
### INNER CORNER LEFT



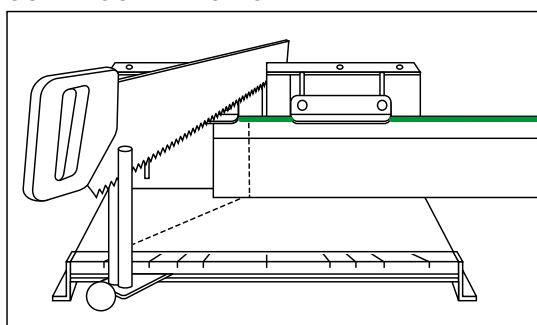
### OUTER CORNER LEFT



### INNER CORNER RIGHT



### OUTER CORNER CRIGHT



- When using an electric mitre saw, the blade must be suitable for synthetic materials. Cut at high speed.
- At the connection joints, saw the profiles in 45° angles.



- Lightly sand the cut edges and the edges of the skirting with fine sandpaper (150 grit or less) or cutter and remove the sawdust with a damp sponge.



## INSTALLATION

- Using a cartridge gun, generously apply the ADEFIX® adhesive in a continuous bead on the backside of the skirting (see GLUE CONSUMPTION).
- Use ADEFIX® PLUS as an adhesive for installation on non-absorbent substrates or in damp rooms.
- WALLSTYL® skirtings with a height / span smaller than 8 cm :
- apply ADEFIX® adhesive to the cuts and corner mitres so that it forms a 3 mm joint.
- WALLSTYL® skirtings with a height / span more than 8 cm: apply ADEFIX® PLUS adhesive to the cuts and corner mitres so that it forms a 3 mm joint.
- The adhesive should not make a bead when the skirtings are pressed against one another. If necessary, the ADEFIX®PLUS adhesive can be removed cleanly with white spirit.



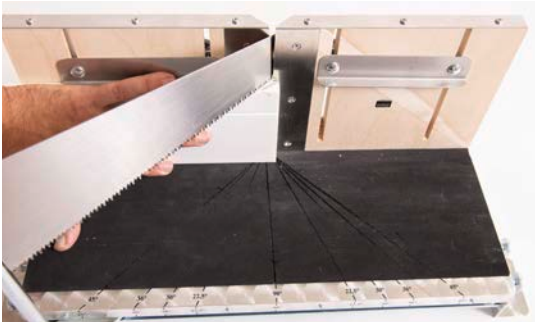
- Leave the glue to dry (min. 6 hours) then finish the joints and mitres with ADEFIX® adhesive.



- Leave the glue to dry (min. 6h) then during the next 4 weeks, apply the final coating (see FINISH).



# SPECIAL CASES



## ENDING A SKIRTING

- Lay the skirting flat in the mitre box.
- Make a cut at 45° above the protruding edge of the skirting (cut the outer mitre).



- Make a large enough reverse cut (45°).



- Sand and dust off the cut edge, and then secure it with ADEFIX® adhesive.



**You can also make the elbow using hot glue. This allows the skirting to be positioned after just a few minutes, without the risk of inaccuracies in the outside mitre**



**Finished skirtings are ready to be installed and do not need to be painted. The mitres and joints must not be glued and remain visible after installation. If a subsequent final coating is required, please contact our technical department.**

# CONTACT

## **BENELUX**

### **NMC SA / AG**

Gert-Noël-Straße

B - 4731 Eynatten

**T** +32 87 85 85 00

**F** +32 87 85 85 11

info@nmc.eu

## **DEUTSCHLAND**

### **NMC Deutschland GmbH**

Weierhausstraße 8 b

D - 64646 Heppenheim

**T** +49 62 52 967 - 0

info@nmc-deutschland.de

## **FRANCE**

### **NMC France sas**

Z.I. de la Forêt

97, Route d'Anor - CS 10103

F - 59613 Fourmies Cedex

**T** +33 3 27 60 81 00

**F** +33 3 27 59 98 55

info@nmc-france.fr

## **UNITED KINGDOM**

### **NMC UK Ltd.**

Unit 1 East, Bridge Road

UK - Brompton on Swale – Richmond, DL10 7HS

**T** +44 1969 623410

**F**+44 1969 624398

sales@nmc-copley.co.uk

## **AUSTRIA**

### **MAPA plus**

Riedlerweg 15

**T** 0316 - 24 39 49

info@mapa.at

mapa.at

## **SWITZERLAND**

### **Jules C. Binder SA**

Z.I. du Moulin du Choc D

CH-1122 Romanel-sur-Morges

**T** +41 21 691 48 49

**F** +41 21 691 48 89

info@jules-c-binder.ch

